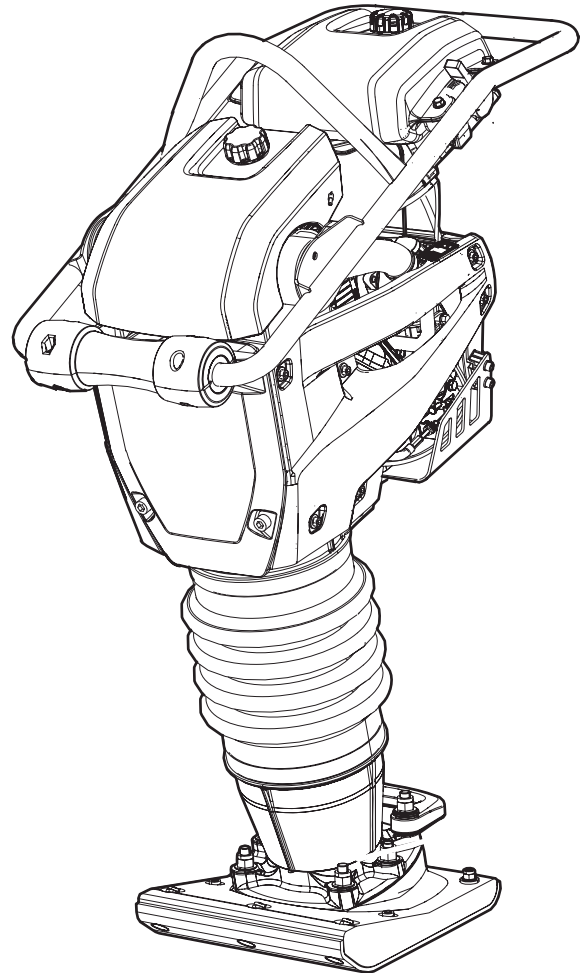


Spare parts list

Rammer

	Valid from serial number
LT 6005 230 mm, (9 in.)	BGF000001
LT 6005 280 mm, (11 in.)	BGF000001



General information

This spare parts list applies to the following:

Part number	Description
3382 0003 53	Rammer LT 6005 230 mm, (9 in.). Standard
3382 0002 61	Rammer LT 6005 230 mm, (9 in.). With air filter indicator
3382 0002 24	Rammer LT 6005 280 mm, (11 in.). Standard
3382 0003 59	Rammer LT 6005 280 mm, (11 in.). With air filter indicator

Use only authorized parts. Any damage or malfunction caused by the use of unauthorized parts is not covered by Warranty or Product Liability. Any unauthorized use or copying of the contents or any part thereof is prohibited. This applies in particular to trademarks, model denominations, part numbers, and drawings.

Instructions for use

This spare parts list contains no safety regulations and is merely intended to assist in the ordering of spare parts.

For information about operating, servicing, or repairing, the relevant Safety and operating instructions must be consulted at all costs.

Please observe the safety instructions listed in the relevant Safety and operating instructions!

Contents

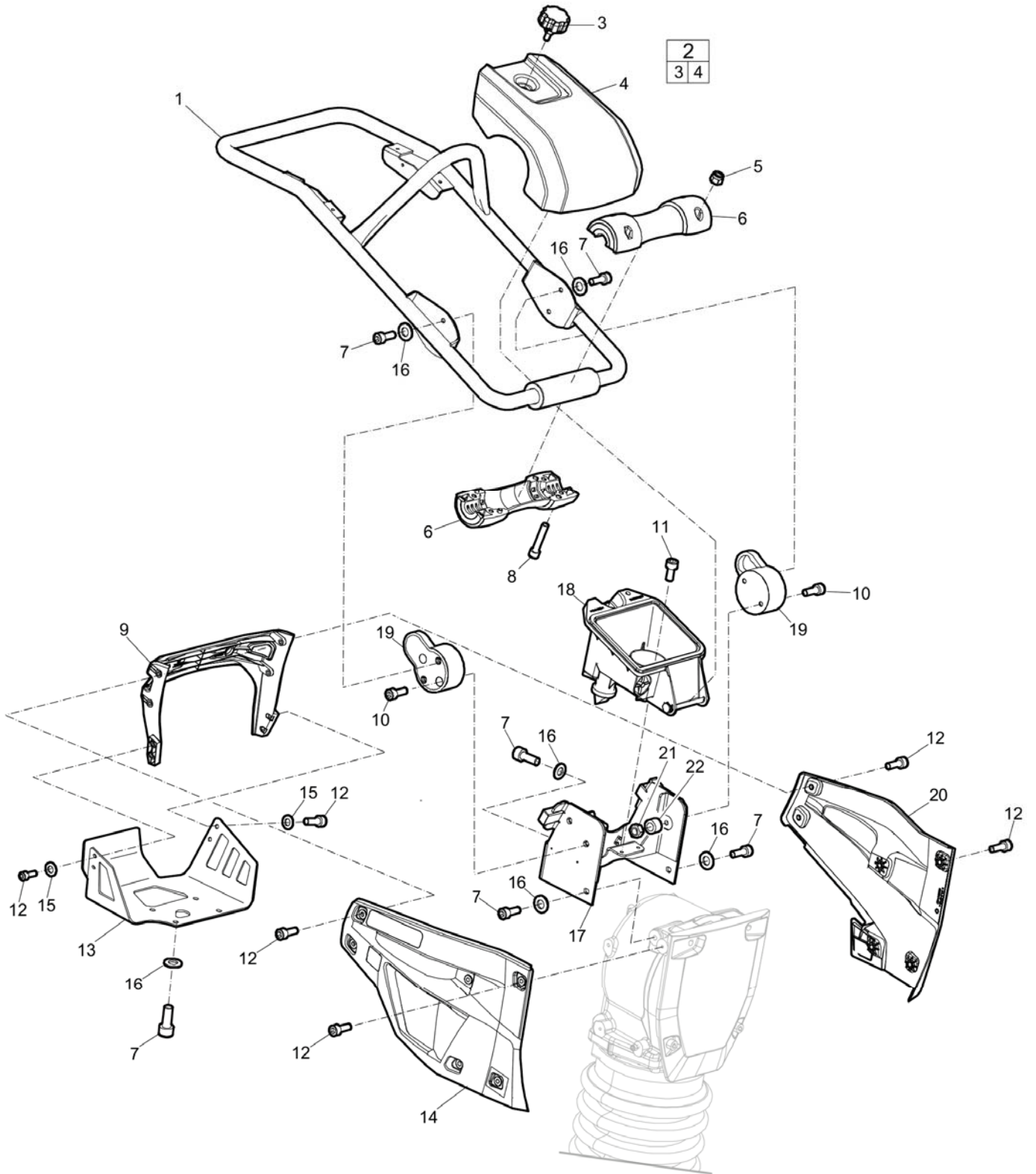
Spare parts list

Handle and covers 4
Throttle control and fuel system 7
Air filter and engine installation 12
Transmission 14
Spring unit 16
Foot 230 mm (9 in.) 18
Foot, 280 mm, 11 in. 20
Label 22

Kits

One year service kit 24
Shock absorber repair kit 26
Transmission repair kit 28
Spring unit repair kit 30
Foot 230 mm, 9 in. repair kit 32
Foot 280 mm, 11 in. repair kit 34
Air filter indicator and hour meter kit 36
Trolley 38

Spare parts list Handle and covers



Refer to Parts Online for the most up to date information. The printed information might be outdated.

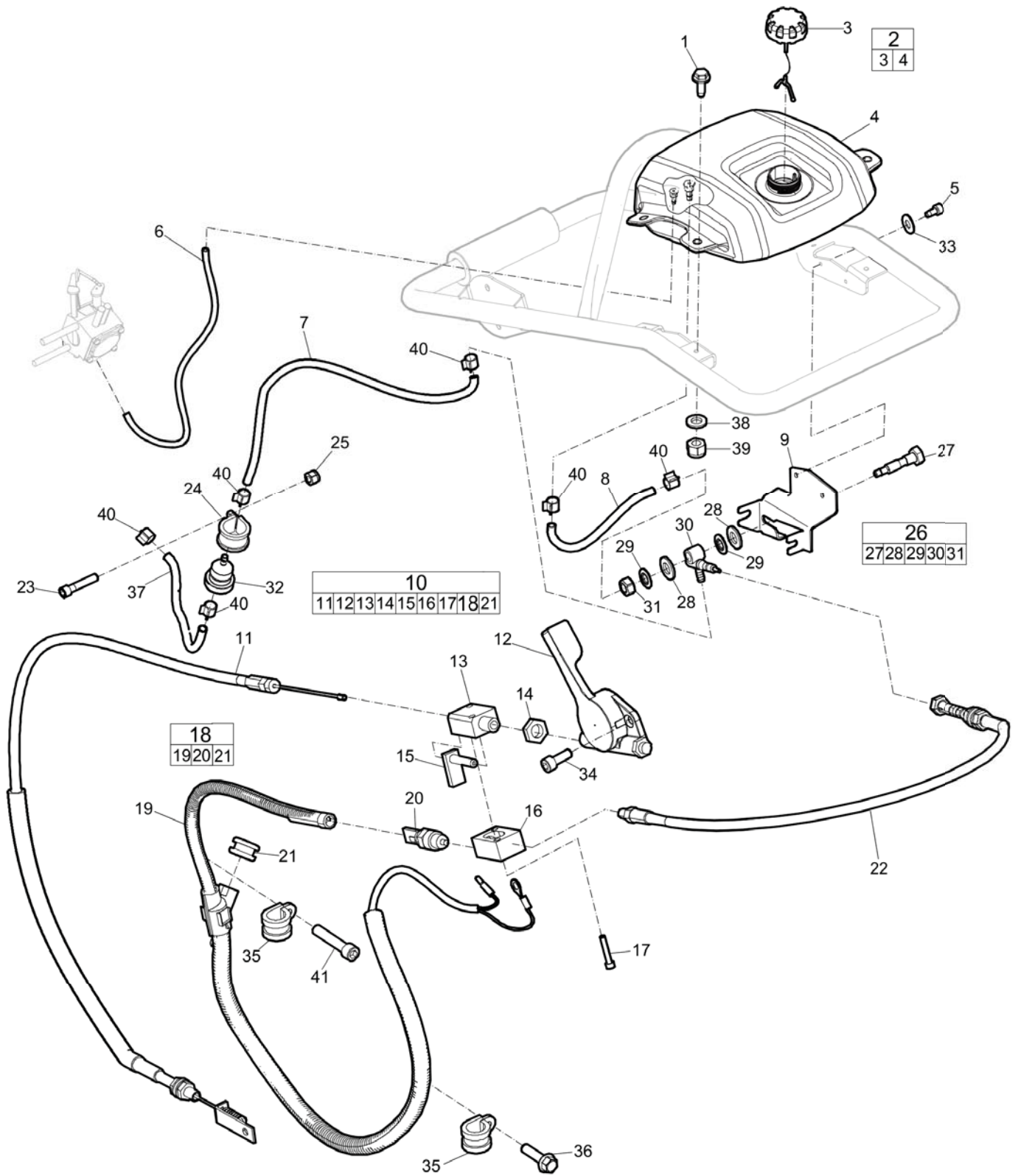
Fri Jul 04 06:14:51 UTC 2014

Item	Part Number	Name	Qty	L
1	3382011336	Handle	1	
2	3382100310	Hood, complete	1	
3	9234000948	Hood knob	1	
4	-	Hood	1	
5	0291112815	Lock nut, M6	4	
6	4700384496	Roller	2	
7	0211132303	Screw, M8 x 20 mm	12	
8	0211125003	Screw, M6 x 30 mm 8.8	4	
9	3382011381	Rear cover	1	
10	0211132503	Screw, M8 x 25 mm	4	
11	0211124903	Screw, M6 x 25 mm	4	
12	0211124603	Screw, M6 x 16 mm	16	
13	3382011476	Engine cover	1	
14	3382011395	Right side cover	1	
15	0301232100	Washer, 6.4 x 12 x 1.6 mm	4	
16	0301233500	Washer, 8.4 x 16 x 1.6 mm HB200 FZB	12	
17	3382012016	Handle bracket	1	
18	-	Air filter housing	1	A
19	3382011297	Shock absorber	2	
20	3382011401	Left side cover	1	
21	0266211000	Nut, M8	4	
22	3382012906	Spacer	4	

Comments for Page: Handle and covers

A || See section " Air filter and engine installation"

Spare parts list Throttle control and fuel system



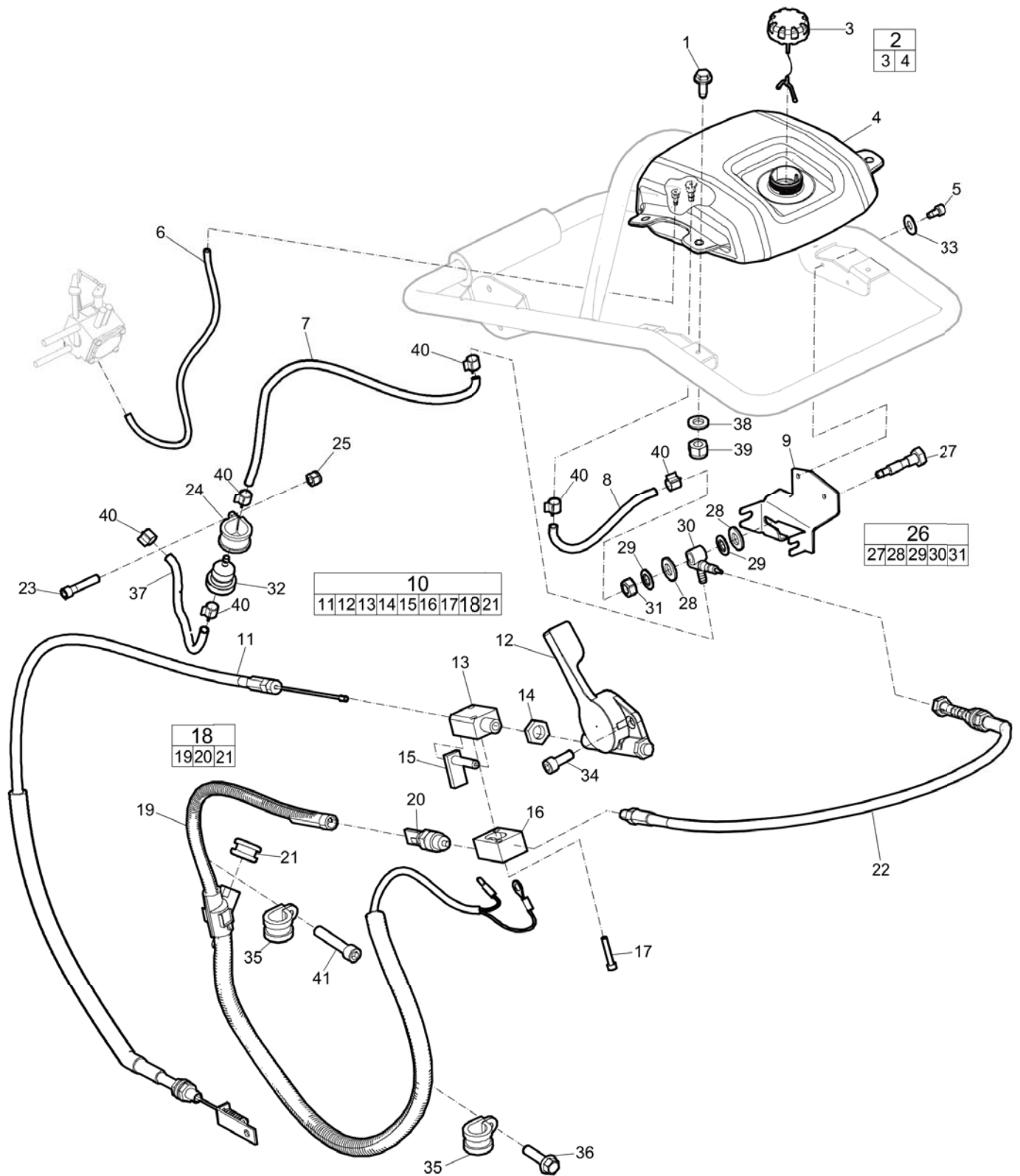
Refer to Parts Online for the most up to date information. The printed information might be outdated.

Fri Jul 04 06:14:53 UTC 2014

Item	Part Number	Name	Qty	L
1	0147300008	Screw, M6 x 20 mm	4	
2	3382100311	Fuel tank, complete	1	
.3	-	Fuel tank	1	
.4	3382011626	Fuel cap	1	
5	0211120403	Screw, M5 x 10 mm 8.8	2	
6	0075000208	Fuel hose	1	
7	0075000209	Fuel hose	1	
8	0075000209	Fuel hose	1	
9	3382012411	Bracket	1	
10	3382100321	Throttle control, complete	1	
.11	3382011608	Throttle wire	1	
.12	3382100320	Handle	1	
.13	3382011600	Switch part, upper	1	
.14	3382011596	Nut	1	
.15	3382011603	Switch	1	
.16	3382011598	Switch part, lower	2	
.17	-	Screw	2	
.18	3382100312	Cable harness, complete	1	
..19	-	Cable harness	1	
..20	3382011601	Engine switch	1	
..21	3382012916	End cover	1	
.22	3382012424	Fuel tap ON/OFF wire	1	
.23	-	Screw	1	
24	0346100029	Pipe clamp	1	
25	-	Nut	1	
26	3382100313	Fuel tap, complete	1	
27	-	Fuel tap screw	1	
28	0301233500	Washer, 8.4 x 16 x 1.6 mm HB200 FZB	2	
29	0661100054	Sealing washer	2	
30	-	Fuel tap	1	
31	0266211000	Nut, M8	1	
32	3382012761	Fuel filter	1	
33	0301231800	Washer, 5.3 x 10 x 1 mm	2	
34	0216110051	Screw, M5 x 12 mm	2	
35	0346100205	Pipe clamp	2	
36	0147300008	Screw, M6 x 20 mm	1	
37	0075000209	Fuel hose	1	
38	0301232100	Washer, 6.4 x 12 x 1.6 mm	4	

Refer to Parts Online for the most up to date information. The printed information might be outdated.

Fri Jul 04 06:14:54 UTC 2014

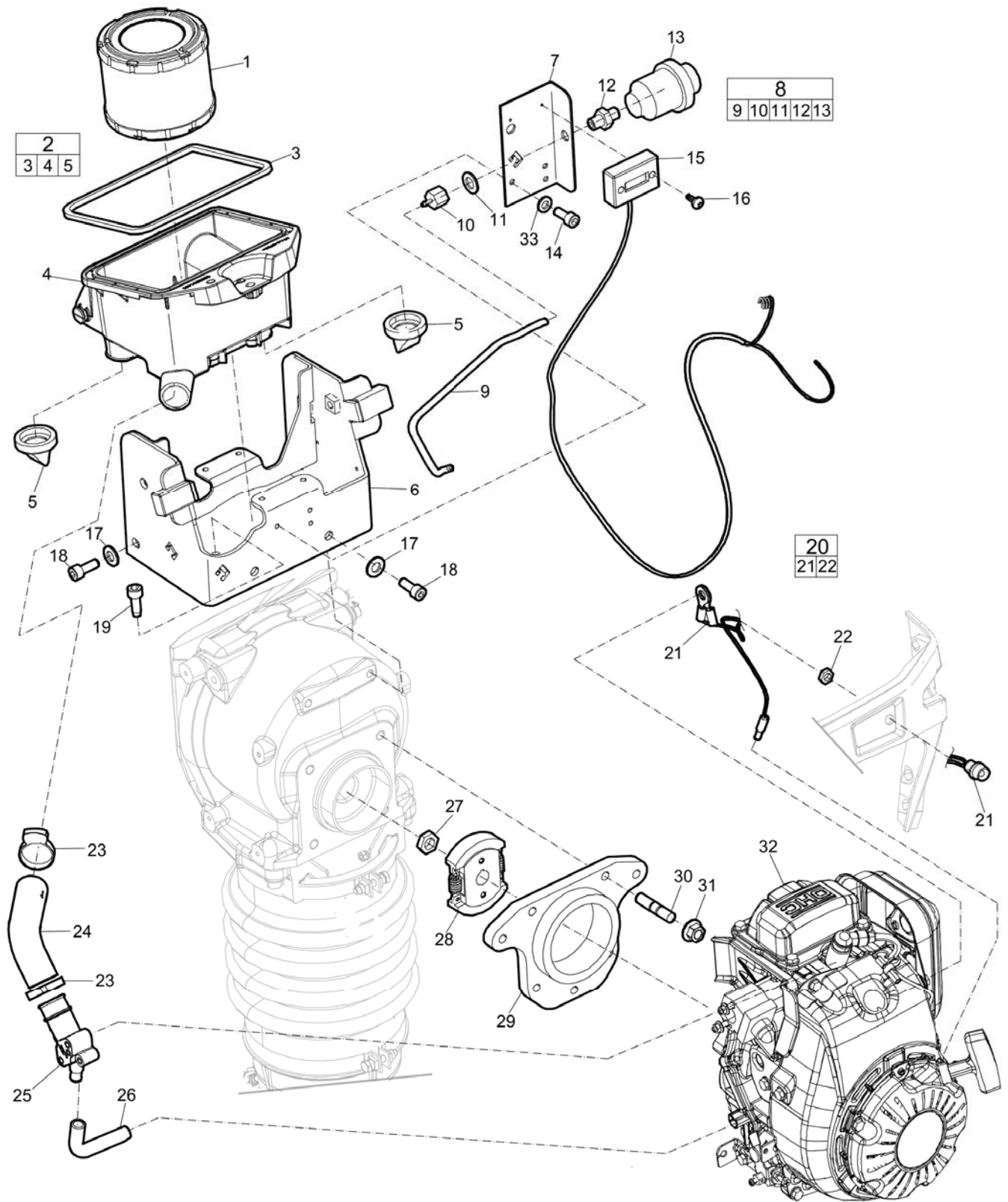


Refer to Parts Online for the most up to date information. The printed information might be outdated.

Fri Jul 04 06:14:54 UTC 2014

Item	Part Number	Name	Qty	L
39	0291112815	Lock nut, M6	4	
40	0347010210	Hose clamp	6	
41	0211125003	Screw, M6 x 30 mm 8.8	1	

Spare parts list Air filter and engine installation

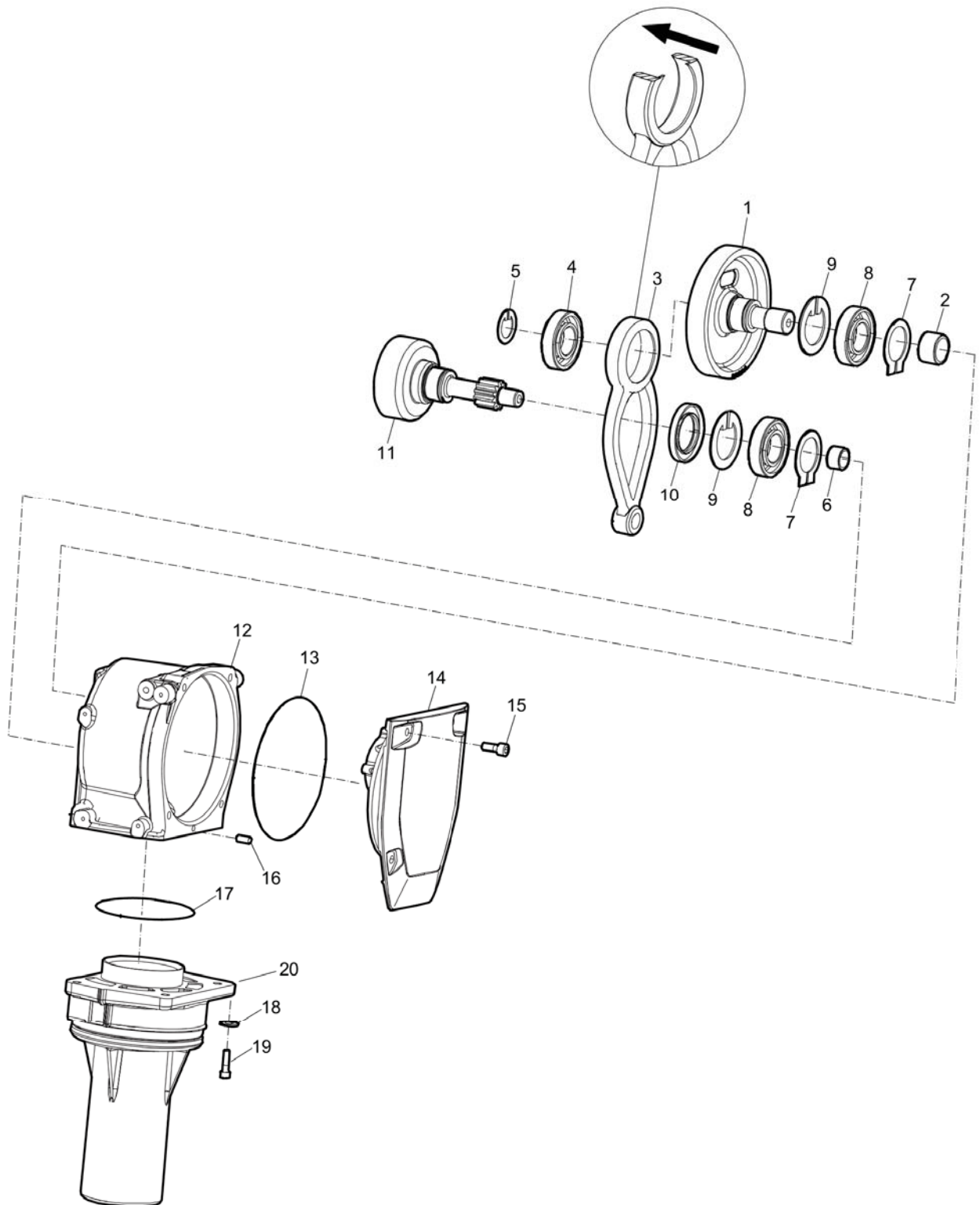


Refer to Parts Online for the most up to date information. The printed information might be outdated.

Fri Jul 04 06:14:55 UTC 2014

Item	Part Number	Name	Qty	L
1	3382011502	Air filter	1	
2	3382011461	Air filter housing, complete	1	
.3	3382012499	Gasket	1	
.4	-	Air filter housing	1	
.5	3382011563	Evacuator valve	2	
6	3382012016	Handle bracket	1	
7	3382011499	Holder	1	
8	3382012431	Air filter indicator, complete	1	
.9	3382011720	Hose	1	
.10	3382011719	Connection	1	
.11	3382011718	Washer	1	
.12	3382011717	Fitting	1	
.13	3382011721	Air filter indicator	1	
14	0211124503	Screw, M6 x 14 mm	3	
15	3382011564	Hour meter	1	
16	0226334329	Screw, RXK PHIL ST 2.9 x 6.5 mm	2	
17	0301233500	Washer, 8.4 x 16 x 1.6 mm HB200 FZB	4	
18	0211132303	Screw, M8 x 20 mm	4	
19	0211124903	Screw, M6 x 25 mm	4	
20	3382012194	Engine oil indicator, complete	1	
.21	-	Wiring harness	1	
.22	-	Nut	1	
23	0347012230	Hose clamp	2	
24	3382011484	Air intake hose	1	
25	3382011473	Air hose connection	1	
26	4700379490	Hose	1	
27	0261109910	Nut, fine pitch, M12 x 1.25 mm	1	
28	3382010862	Centrifugal clutch	1	
29	-	Engine adapter	1	
30	4700384517	Stud	4	
31	0261109955	Nut, fine pitch, M10 x 1.25 mm	4	
32	3382012181	Engine, Honda GXR 120	1	
33	0301232100	Washer, 6.4 x 12 x 1.6 mm	3	

Spare parts list Transmisson

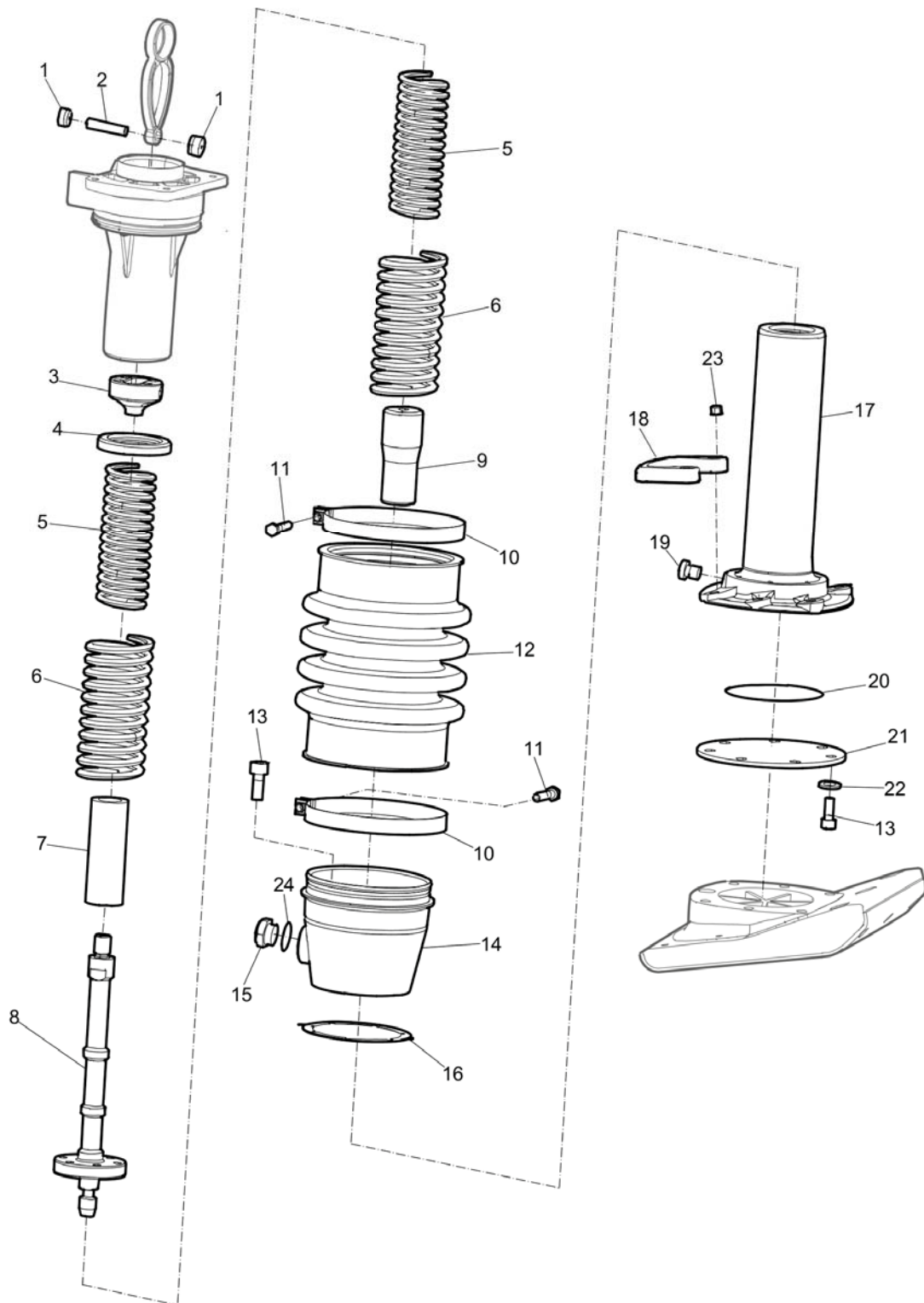


Refer to Parts Online for the most up to date information. The printed information might be outdated.

Fri Jul 04 06:14:57 UTC 2014

Item	Part Number	Name	Qty	L
1	4700380906	Gear wheel	1	
2	4700904950	Needle bearing	1	
3	4700380920	Connecting rod	1	
4	4700111078	Ball bearing	1	
5	0335112700	Retaining ring for shaft	1	
6	4700904949	Needle bearing	1	
7	0335113600	Snap ring	2	
8	4700903520	Bearing	2	
9	4700151025	Snap ring	2	
10	4700904952	Sealing	1	
11	4700381477	Shaft	1	
12	3382011251	Crankcase	1	
13	4700160106	O-ring	1	
14	3382011322	Cover	1	
15	4700508096	Screw	4	
16	4700628006	Pin	1	
17	4700160035	O-ring	1	
18	4700904230	Steel plain washer	4	
19	4700508053	Screw	4	
20	3382012440	Outer tube	1	

Spare parts list Spring unit

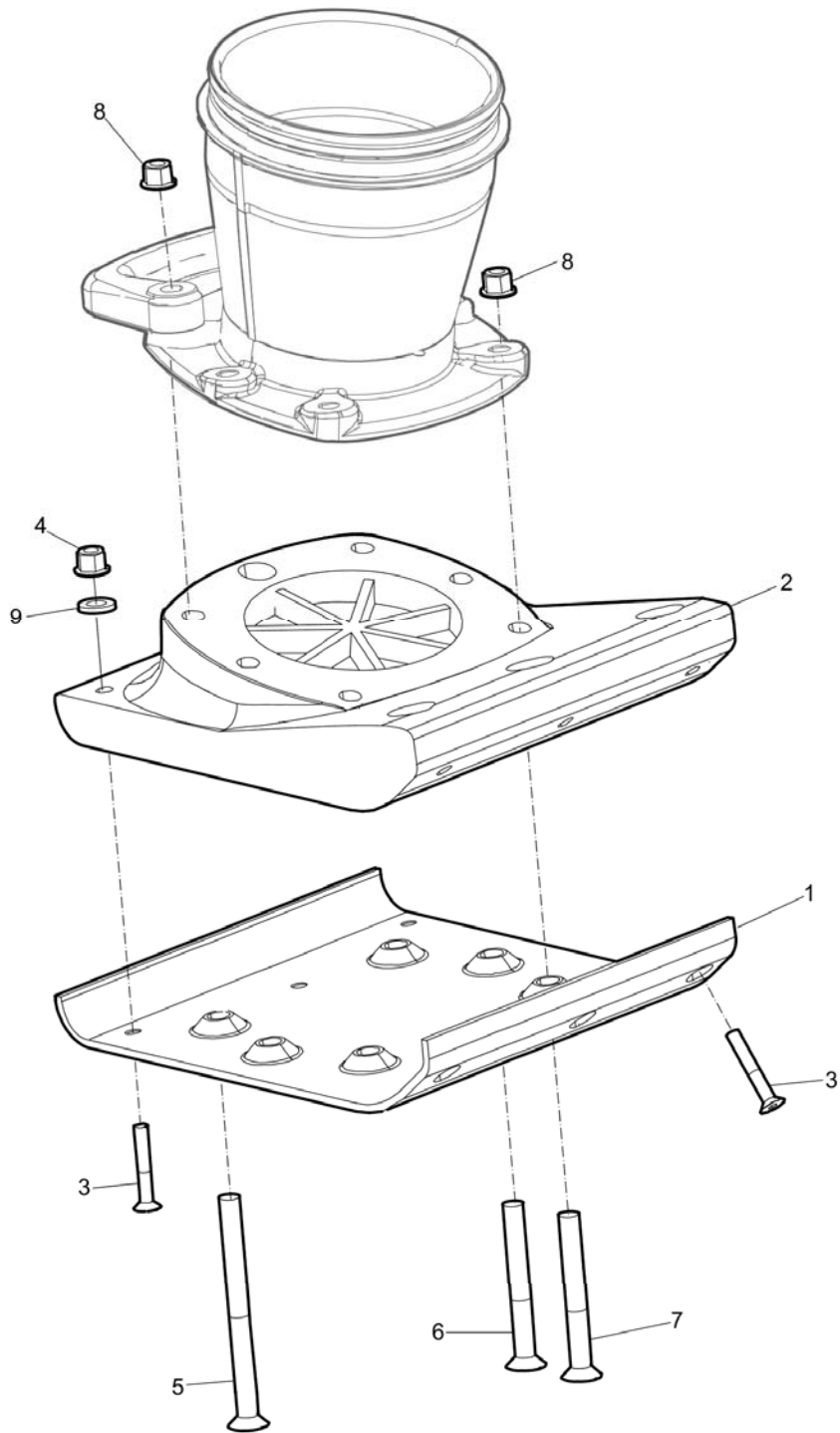


Refer to Parts Online for the most up to date information. The printed information might be outdated.

Fri Jul 04 06:14:58 UTC 2014

Item	Part Number	Name	Qty	L
1	4700381482	Plug	2	
2	4700381479	Piston bolt	1	
3	4700381961	Rod piston head	1	
4	4700383681	Lid	1	
5	4700380895	Spring	2	
6	4700380894	Spring	2	
7	4700380899	Stop	1	
8	4700383668	Rod piston	1	
9	4700380902	Stop	1	
10	4700283631	Hose clamp	2	
11	4700500023	Screw M8-1,25x40 8,8	2	
12	4812070541	Bellows	1	
13	4700508092	Screw	12	
14	4700388409	Bellows support	1	
15	4700791395	Sight plug	1	
16	4700383666	Gasket	1	
17	4700383669	Inner tube	1	
18	4700384416	Handle	1	
19	4700904951	Plug	1	
20	4700160054	O-ring	1	
21	4700382369	Lid	1	
22	4700162009	Seal ring	6	
23	0291112845	Nut, M12, 10.9	2	
24	4700791376	Fiber washer	1	

Spare parts list Foot 230 mm (9 in.)

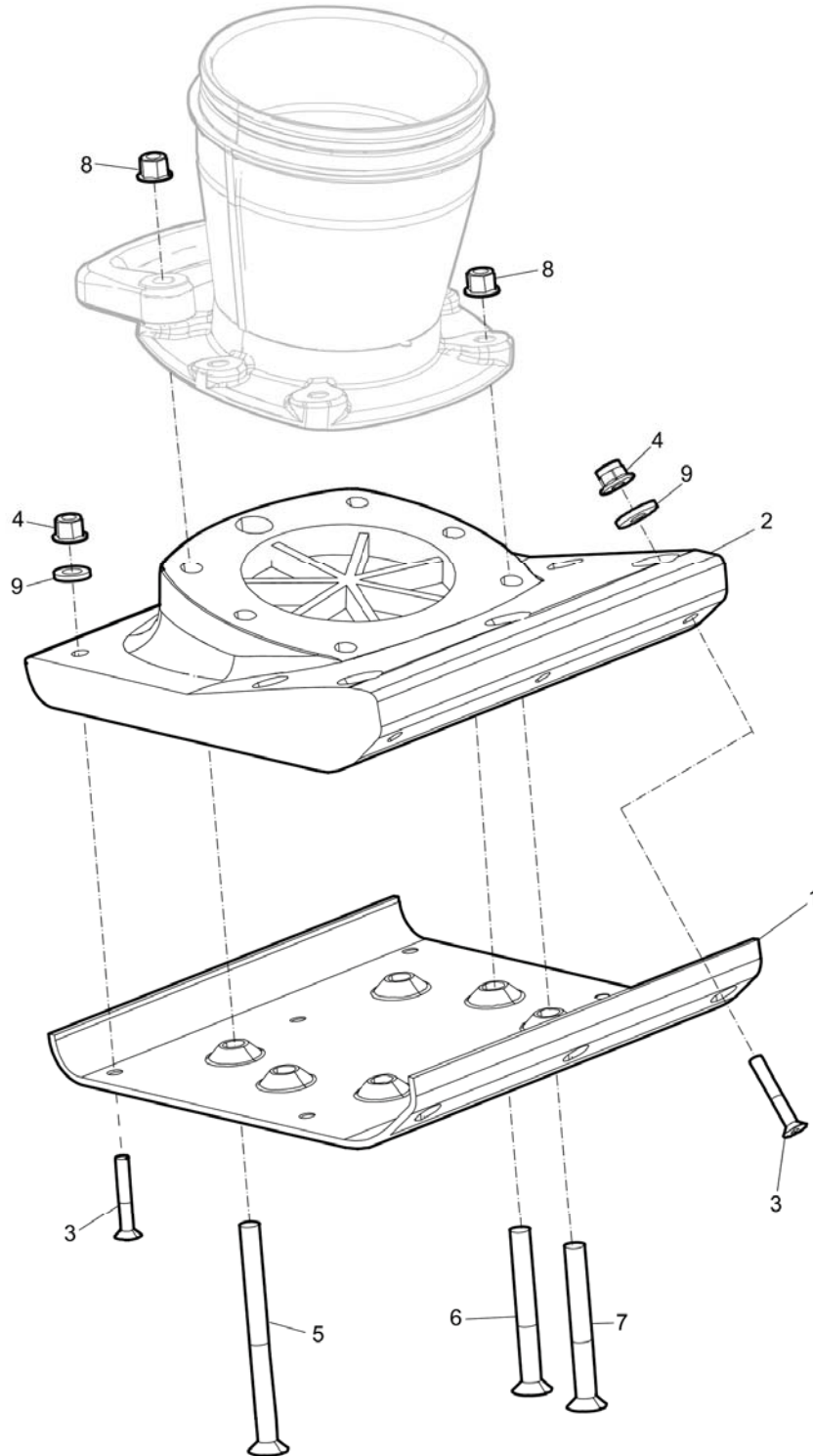


Refer to Parts Online for the most up to date information. The printed information might be outdated.

Fri Jul 04 06:15:00 UTC 2014

Item	Part Number	Name	Qty	L
1	3382011486	Ground plate, 230 mm, 9 in.	1	
2	4700382688	Foot	1	
3	0226991801	Screw, M8 x 50 mm 8.8, DIN605	6	
4	0291112819	Lock nut, M8	6	
5	0226991804	Screw, M12 x 150 mm, 10.9, DIN608	2	
6	0226991803	Screw, M12 x 110 mm, 10.9, DIN608	2	
7	0226991802	Screw, M12 x 100 mm, 10.9, DIN608	2	
8	0291112845	Nut, M12, 10.9	6	
9	4700904640	Washer 8.4 x 16 x 1.5 mm	6	

Spare parts list Foot, 280 mm, 11 in.

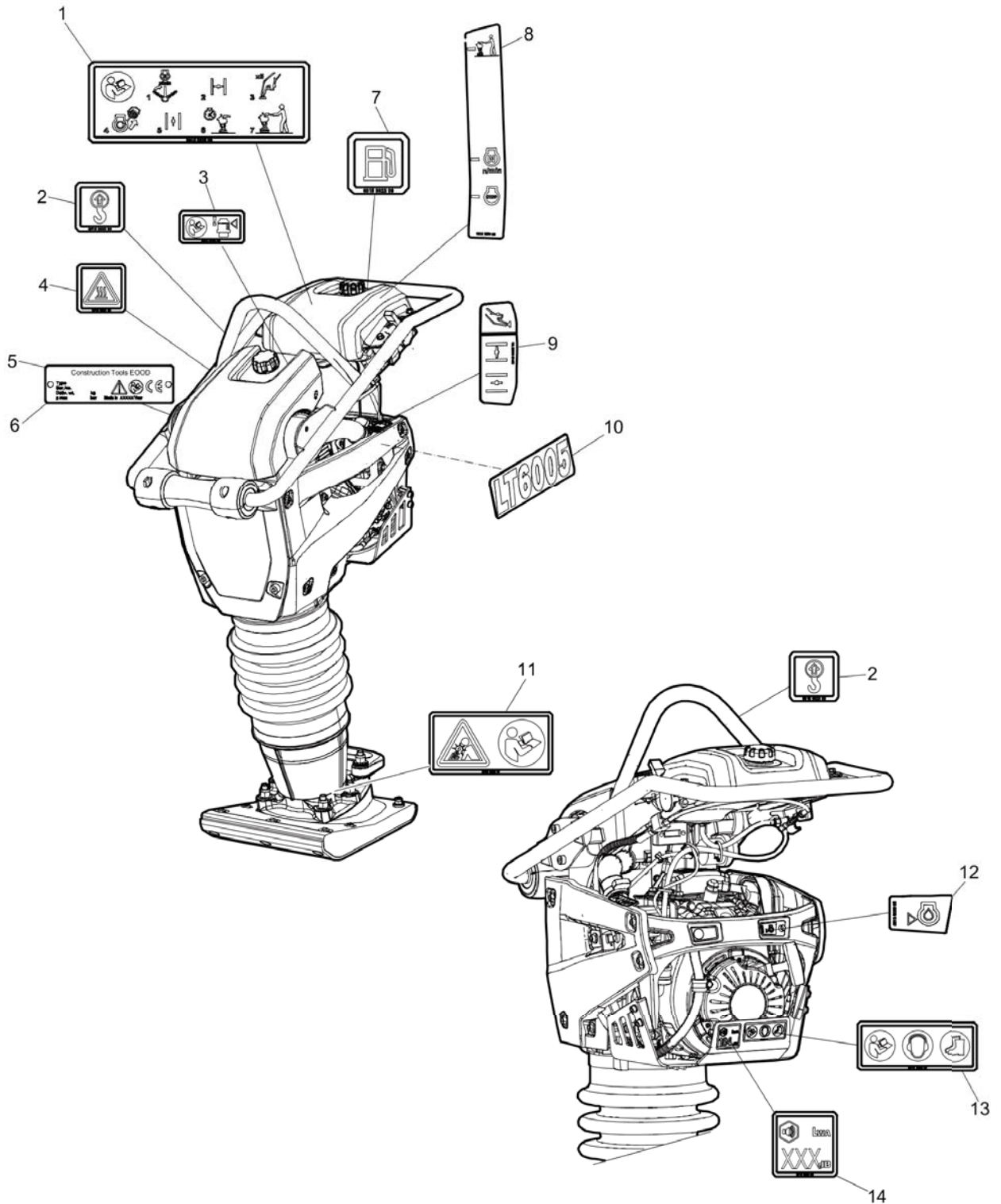


Refer to Parts Online for the most up to date information. The printed information might be outdated.

Fri Jul 04 06:15:01 UTC 2014

Item	Part Number	Name	Qty	L
1	3382011358	Ground plate	1	
2	4700382366	Foot	1	
3	0226991801	Screw, M8 x 50 mm 8.8, DIN605	8	
4	0291112819	Lock nut, M8	8	
5	0226991804	Screw, M12 x 150 mm, 10.9, DIN608	2	
6	0226991803	Screw, M12 x 110 mm, 10.9, DIN608	2	
7	0226991802	Screw, M12 x 100 mm, 10.9, DIN608	2	
8	0291112845	Nut, M12, 10.9	6	
9	4700904640	Washer 8.4 x 16 x 1.5 mm	8	

Spare parts list Label



Refer to Parts Online for the most up to date information. The printed information might be outdated.

Fri Jul 04 06:15:03 UTC 2014

Item	Part Number	Name	Qty	L
1	8915002603	Label, start instruction	1	
2	8915002393	Label, lifting point	2	
3	8915002396	Label, air filter indicator	1	
4	8915002389	Safety label, hot surfaces	1	
5	-	Data plate	1	
6	-	Rivet	2	
8	8915002398	Label, start instruction	1	
9	8915002570	Label, engine choke and primer pump	1	
10	3382011863	Product label "LT 6005"	2	
11	4700791088	Safety label, compressed spring package	1	
12	8915002602	Label, engine oil indicator	1	
13	8912002387	Safety label, read instructions, ear protection, and safety boots		
14	-	Sound power label		

Kits One year service kit

**NO DRAWING
AVAILABLE
FOR THIS BOM**

Item	Part Number	Name	Qty	L
1	3382100314	One year service kit		
.2	4700938934	Spark plug	1	
.3	3382011502	Air filter	5	
.4	4700938973	Rope	1	
.5	3382012761	Fuel filter	2	

Kits Shock absorber repair kit

**NO DRAWING
AVAILABLE
FOR THIS BOM**

Item	Part Number	Name	Qty	L
1	3382100315	Shock absorber repair kit	1	
2	3382011297	Shock absorber	2	
3	0211132303	Screw, M8 x 20 mm	4	
4	0301233500	Washer, 8.4 x 16 x 1.6 mm HB200 FZB	4	
5	0211132503	Screw, M8 x 25 mm	4	

Kits Transmission repair kit

**NO DRAWING
AVAILABLE
FOR THIS BOM**

Item	Part Number	Name	Qty	L
1	4812155283	Repair kit, transmission	1	
.2	4700904950	Needle bearing	1	
.3	4700111078	Ball bearing	1	
.4	4700150009	Snap ring	1	
.5	4700904949	Needle bearing	1	
.6	4700150014	Snap ring	2	
.7	4700903520	Bearing	2	
.8	4700151025	Snap ring	2	
.9	4700904952	Sealing	1	
10	-	Nut, M12 x 1.25 mm A3K	1	
11	4700160106	O-ring	1	
12	-	Screw, M10 x 25 mm 8.8 A3K	4	
13	4700160035	O-ring	1	
14	-	Washer, 10.5 x 22 x 2 mm, 0.41 x 0.87 x 0.08 in. 300 HV	4	
15	-	Screw, M10 x 35 mm 8.8 A3K	4	
16	-	Washer, 8.4 x 26 x 3 mm, 0.33 x 1.02 x 0.12 in.	1	
17	-	Screw, M8 x 25 mm 8.8 A2K	1	

Kits Spring unit repair kit

**NO DRAWING
AVAILABLE
FOR THIS BOM**

Item	Part Number	Name	Qty	L
1	4812155284	Repair kit, spring unit	1	
2	4700380895	Spring	2	
3	4700380894	Spring	2	
4	4700380899	Stop	1	
5	4700380902	Stop	1	
6	-	Screw, M8 x 20 mm 8.8 A2K	6	
7	4700383666	Gasket	1	
8	4700160054	O-ring	1	
9	-	Washer, 8.7 x 14 x 1 mm, 0.32 x 0.04 in. Type A	6	
10	-	Fibre washer, 27 x 32 x 2 mm, 1.06 x 1.26 x 0.08 in.	1	

Kits Foot 230 mm, 9 in. repair kit

**NO DRAWING
AVAILABLE
FOR THIS BOM**

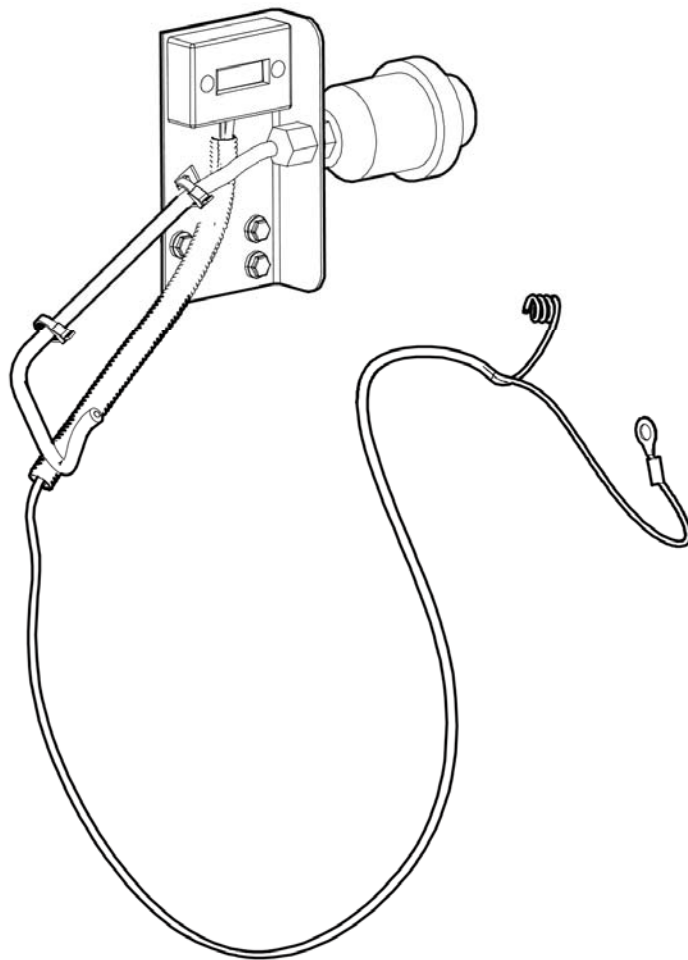
Item	Part Number	Name	Qty	L
1	3382100316	Foot 230 mm, 9 in. Repair kit	1	
.2	3382011486	Ground plate, 230 mm, 9 in.	1	
.3	4700382688	Foot	1	
.4	0226991801	Screw, M8 x 50 mm 8.8, DIN605	6	
.5	0291112819	Lock nut, M8	6	
.6	0226991804	Screw, M12 x 150 mm, 10.9, DIN608	2	
.7	0226991803	Screw, M12 x 110 mm, 10.9, DIN608	2	
.8	0226991802	Screw, M12 x 100 mm, 10.9, DIN608	2	
.9	0291112845	Nut, M12, 10.9	6	
.10	4700904640	Washer 8.4 x 16 x 1.5 mm	6	

Kits Foot 280 mm, 11 in. repair kit

**NO DRAWING
AVAILABLE
FOR THIS BOM**

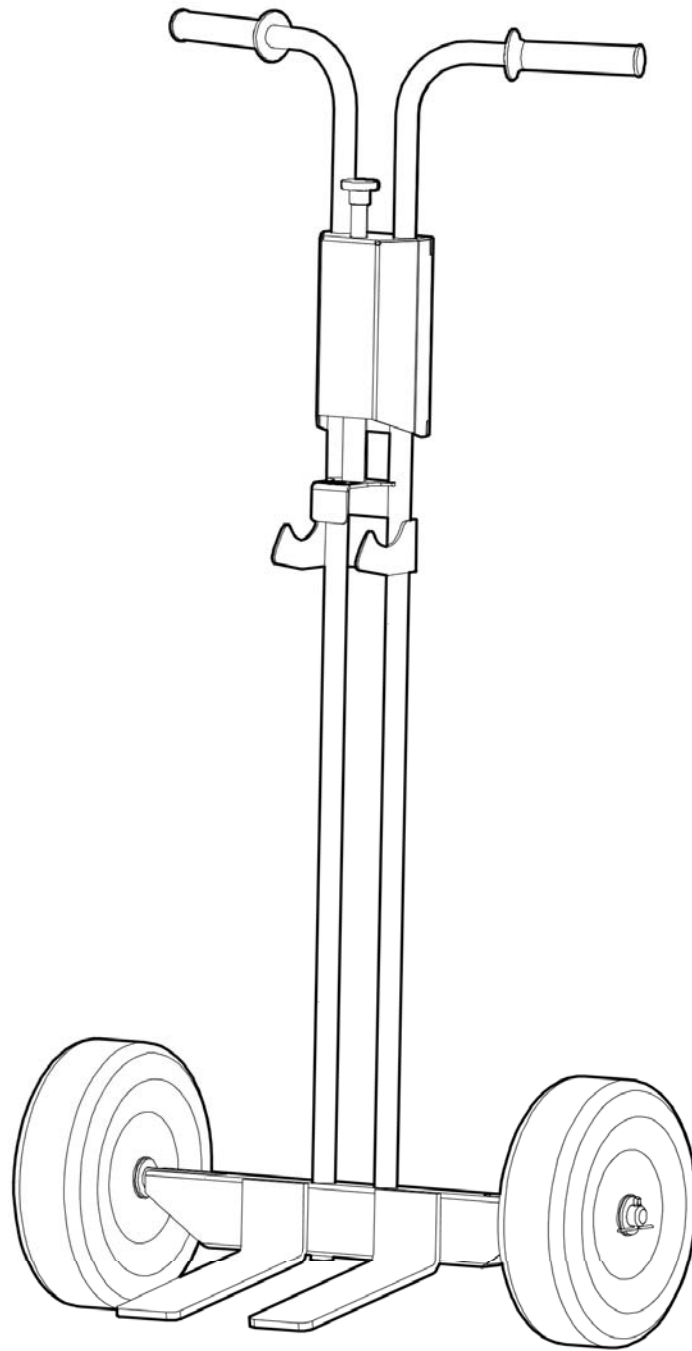
Item	Part Number	Name	Qty	L
1	3382100317	Foot 280 mm, 11 in. Repair kit		
.2	3382011358	Ground plate		
.3	4700382366	Foot		
.4	0226991801	Screw, M8 x 50 mm 8.8, DIN605		
.5	0291112819	Lock nut, M8		
.6	0226991804	Screw, M12 x 150 mm, 10.9, DIN608		
.7	0226991803	Screw, M12 x 110 mm, 10.9, DIN608		
.8	0226991802	Screw, M12 x 100 mm, 10.9, DIN608		
.9	0291112845	Nut, M12, 10.9		
.10	4700904640	Washer 8.4 x 16 x 1.5 mm		

Kits Air filter indicator and hour meter kit



Item	Part Number	Name	Qty	L
1	3382011500	Indicator and hour meter kit		

Kits Trolley



Item	Part Number	Name	Qty	L
1	3382000348	Trolley	1	

Any unauthorized use or copying of the contents or any part thereof is prohibited.
This applies in particular to trademarks, model denominations, part numbers, and drawings.

© 2014 Construction Tools EOOD | No. 9800 1606 01 | 2014-06-30

